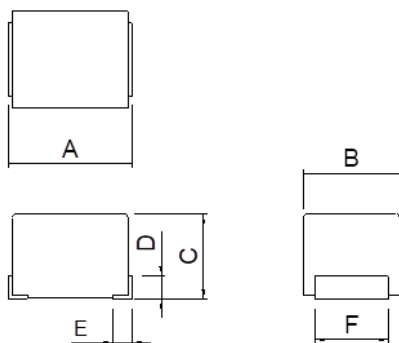


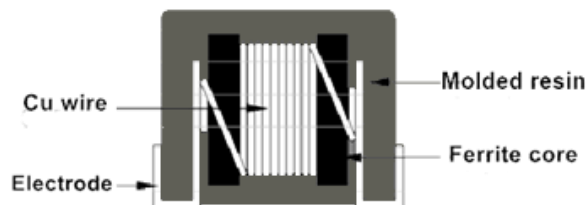
FIVC3225Tseries



SHAPE AND DIMENSIONS (mm)



CONSTRUCTION



Type	A	B	C	D	E	F
FIVC3225	3.2±0.2	2.5±0.2	2.2±0.2	0.5	0.4	1.9±0.1

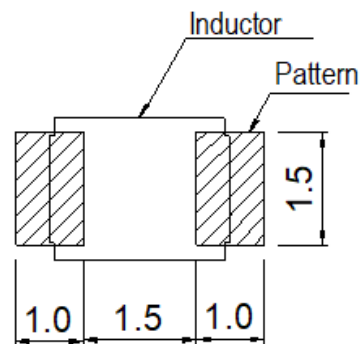
RATING

Operating temperature range: -40 to 105°C

Storage temperature range: 20 to 25°C

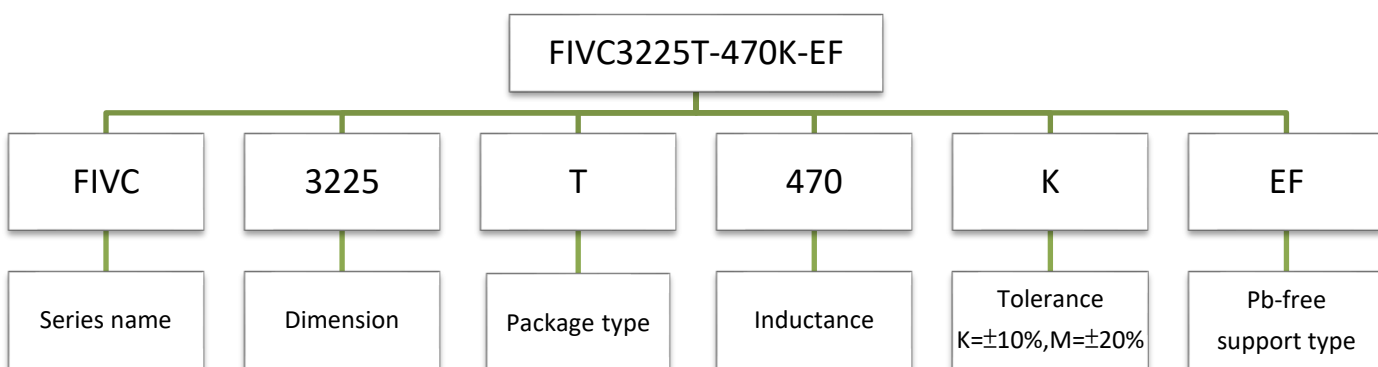
Self temperature arising: less than 20°C

RECOMMEND PATTERN



PRODUCT IDENTIFICATION

(ex.)

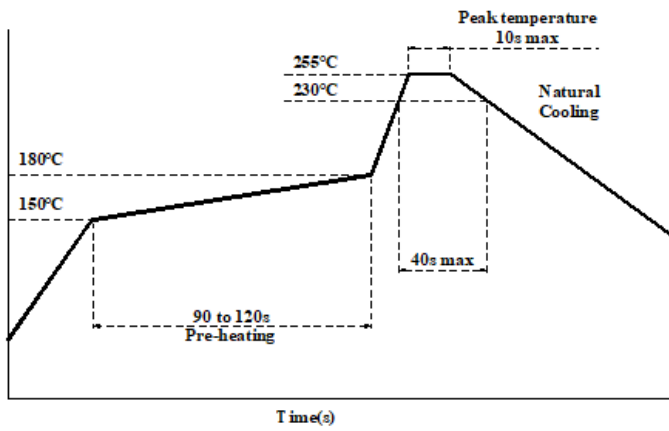


ELECTRICAL CHARACTERISTICS

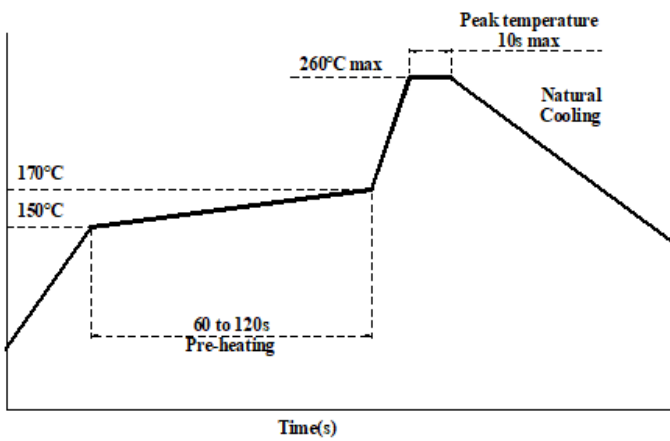
Part No.	Inductance (μ H)	Tolerance	Q	SRF (MHz)Min.	Test Freq. (MHz)	Rdc (OHM) \pm 30%.	Idc (mA)Max.
FIVC3225T-1R0M-EF	1.0	\pm 20%	10	100	7.96	0.06	1000
FIVC3225T-1R5M-EF	1.5	\pm 20%	10	80	7.96	0.11	830
FIVC3225T-2R2M-EF	2.2	\pm 20%	10	68	7.96	0.13	770
FIVC3225T-3R3M-EF	3.3	\pm 20%	10	54	7.96	0.16	690
FIVC3225T-4R7M-EF	4.7	\pm 20%	15	46	7.96	0.20	620
FIVC3225T-6R8M-EF	6.8	\pm 20%	15	38	7.96	0.27	530
FIVC3225T-100K-EF	10.0	\pm 10%	15	30	2.52	0.36	450
FIVC3225T-150K-EF	15.0	\pm 10%	15	26	2.52	0.56	370
FIVC3225T-220K-EF	22.0	\pm 10%	15	21	2.52	0.77	300
FIVC3225T-330K-EF	33.0	\pm 10%	15	17	2.52	1.10	240
FIVC3225T-470K-EF	47.0	\pm 10%	15	14	2.52	1.64	180
FIVC3225T-680K-EF	68.0	\pm 10%	15	12	2.52	2.80	140

RECOMMENDED SOLDERING CONDITIONS

Reflow soldering

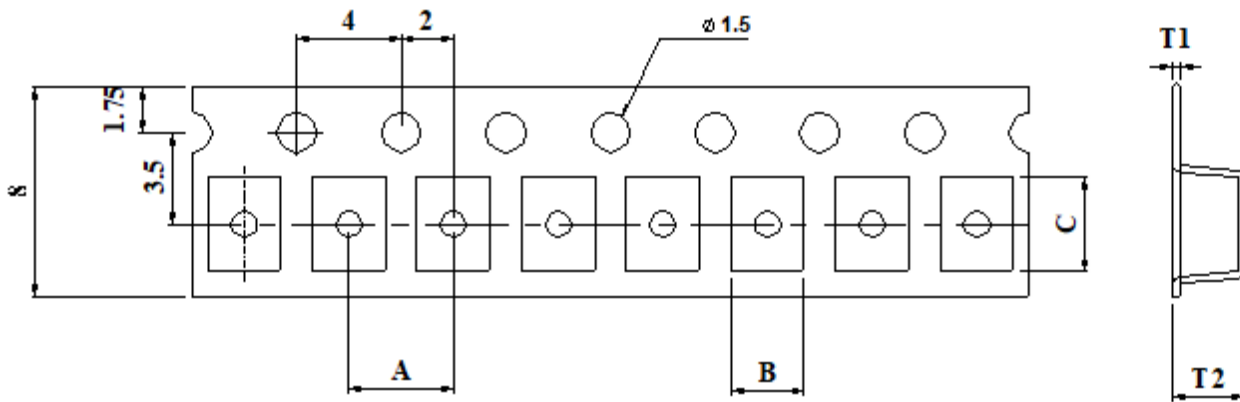


Flow soldering



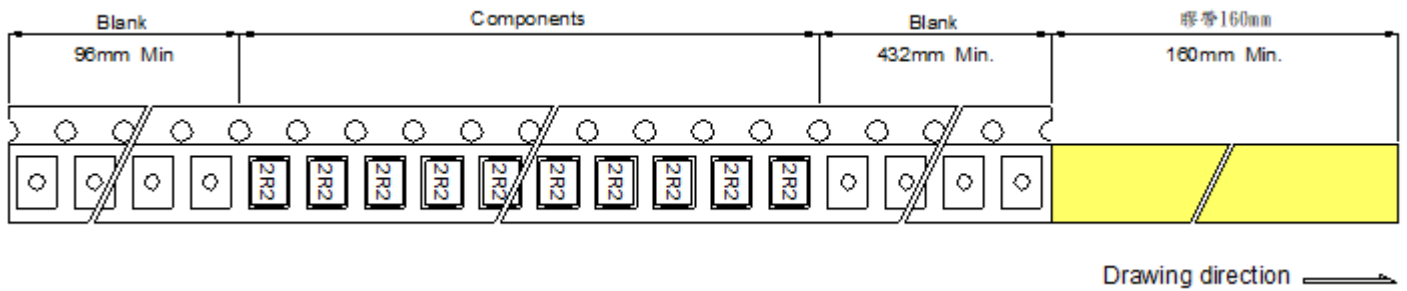
PACKAGE

(1) Taping specifications

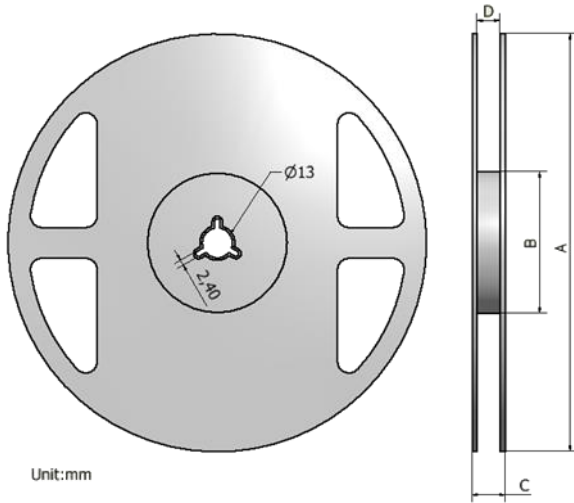


Type	A (mm)	B (mm)	C (mm)	T1 (mm)	T2 (mm)
FIVC3225	4.0	2.8	3.5	0.4	2.5

(2) Terminal part and leader part tape



(3) Reel Specifications



Unit:mm

Label

Wire Wound Ferrite Core Chip Inductors
 FIVC3225T-□□□-□-EF
 2,000 PCS
 Lot No. _____
 FUMIWA TECHNICAL CO., LTD.

Type	A	B	C	D	Qty/Reel
FIVC3225	180	60	12	9	2000

(4) Outer box

	Type	Size(mm)	Q'ty
1	7" Plastic reel	φ 180*11	2000pcs
2	Box	195*70*197	5 Reels
3	Carton 1	380*212*220	5 Box
4	Carton 2	412*388*220	10 Box