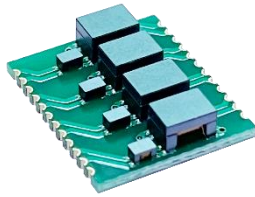


# FAT-LAN-2.5G-00 Series



## FEATURES

- Fully automated production lines
- Compatible with 2.5GBase-T
- IEEE 802.3 Ethernet compatible
- RoHS compliant

## ELECTRICAL CHARACTERISTICS

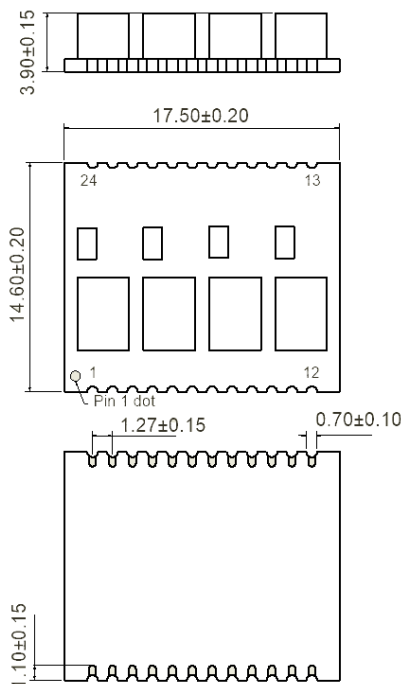
Inductance 100kHz/ 0.1V @0mA DC bias ( $\mu$ H)Min.	Insertion loss (dB)Max.		Return Loss (dB)Min.@100 $\Omega$			Differential to Common Mode Rejection Ratio (dB)Min.				Crosstalk (dB)Min. 1-125 MHz	Hi-pot (Vrms) 60sec.
	1-50 MHz	50-125 MHz	1-40 MHz	80 MHz	125 MHz	1-40 MHz	60 MHz	100 MHz	125 MHz		
180	-0.5	-1.0	-16	-13	-11	-48	-42	-38	-36	-35	1500

## RATING

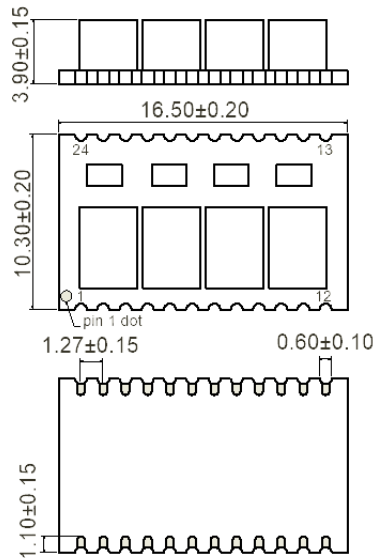
Operating temperature range: -40 to 85°C  
 Storage temperature range: 20 to 25°C  
 R.H. 65% (For Reference)

## SHAPE AND DIMENSIONS (mm)

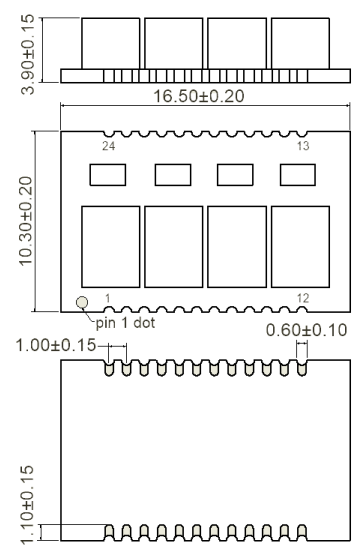
FAT-LAN-2.5G-00



FAT-LAN-2.5G-S127-00

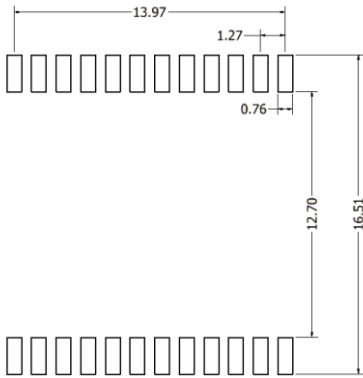


FAT-LAN-2.5G-S100-00

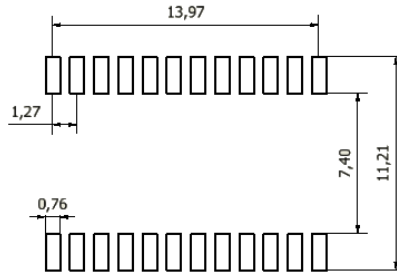


## RECOMMEND LAND PATTERN (mm)

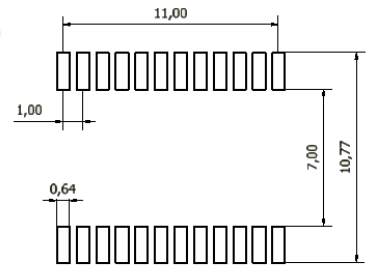
FAT-LAN-2.5G-00



FAT-LAN-2.5G-S127-00

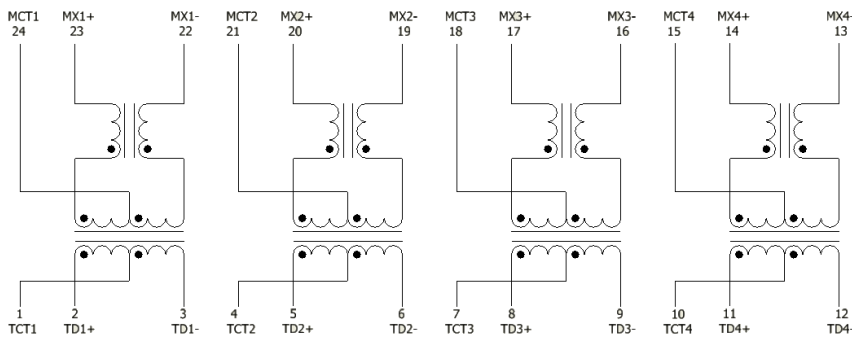


FAT-LAN-2.5G-S100-00

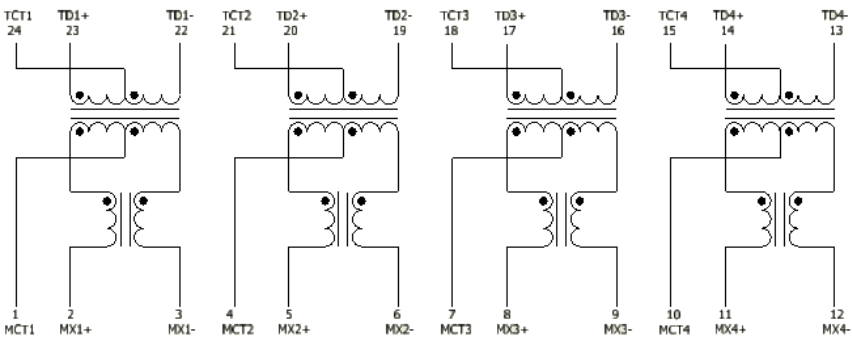


## SCHEMATIC DIAGRAM

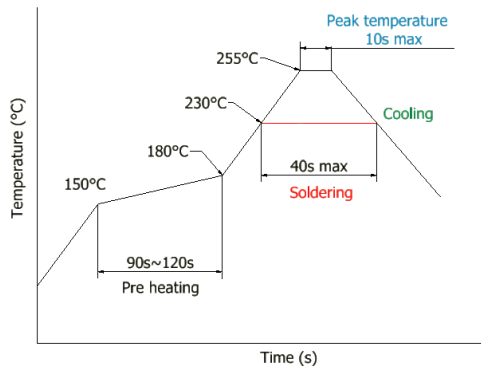
FAT-LAN-2.5G-00 / FAT-LAN-2.5G-S127-00 / FAT-LAN-2.5G-S100-00



FAT-LAN-2.5G-00-R / FAT-LAN-2.5G-S127-00-R / FAT-LAN-2.5G-S100-00-R

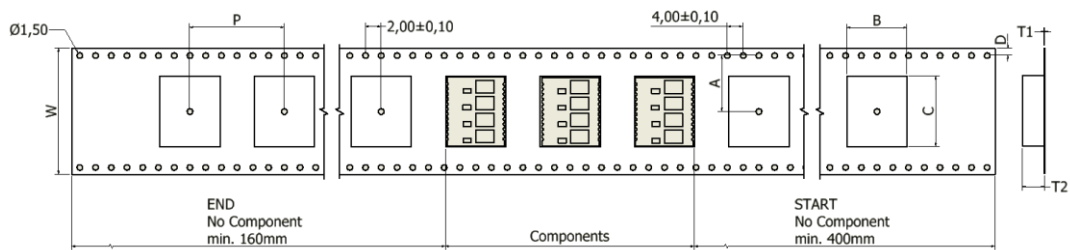


## RECOMMENDED SOLDERING CONDITIONS



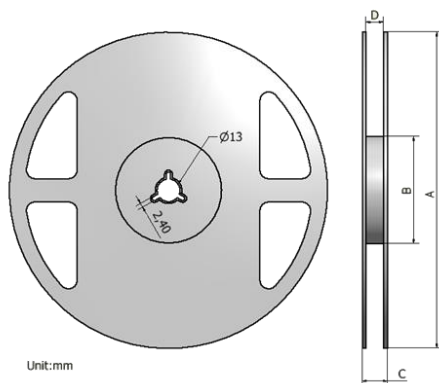
## PACKAGE

### (1) Taping specifications (mm)



Type	W	P	A	B	C	T1	T2
FAT-LAN-2.5G-00	32±0.2	24±0.1	14.2±0.1	14.9±0.2	17.9±0.2	0.4±0.05	4.5±0.1
FAT-LAN-2.5G-S127-00	32±0.2	20±0.1	14.2±0.1	10.7±0.2	16.9±0.2	0.4±0.05	4.5±0.1
FAT-LAN-2.5G-S100-00	32±0.2	20±0.1	14.2±0.1	10.7±0.2	16.9±0.2	0.4±0.05	4.5±0.1

### (2) Reel specifications (mm)



### Label

Chip LAN Transformers Module  
 FAT-LAN-2.5G-□□□-00-(R)  
 400 PCS  
 Lot No. \_\_\_\_\_  
 FUMIWA TECHNICAL CO., LTD.

Type	A	B	C	D	Q'ty/Reel
FAT-LAN-2.5G-00	330±1.5	75±2.0	37.5±2.0	32.5±0.5	400
FAT-LAN-2.5G-S127-00	330±1.5	75±2.0	37.5±2.0	32.5±0.5	400
FAT-LAN-2.5G-S100-00	330±1.5	75±2.0	37.5±2.0	32.5±0.5	400

### Note:

1. Please make sure that your product is has been evaluated and confirmed against your specifications when our product is mounted to your product.
2. Do not knock nor drop.
3. All the items and parameters in this product specification have been prescribed on the premise that our product is used for the purpose, under the condition and in the environment agreed upon between you and us. You are requested not to use our product deviating from such agreement.
4. Please keep the distance between transformer/coil and other components (refer to the standard IEC 950)